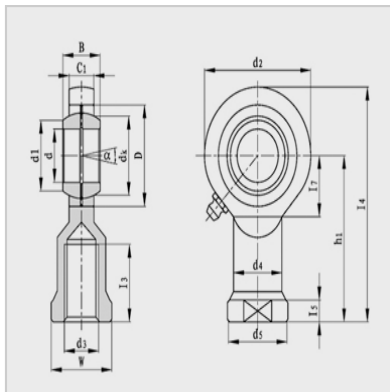
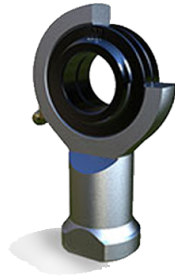


Spherical plain bearing



| | |
|---------|---------|
| model : | SI30T/K |
|---------|---------|

Main dimensions (mm) :

| | |
|--------------|-------|
| d : | 30 |
| d3 : | M30X2 |
| W : | 46 |
| B : | 37 |
| C1 (max) : | 25 |
| h1 : | 110 |
| d2 (max) : | 70 |
| I4 (max) : | 145 |
| I5 (max) : | 14 |
| d4 (max) : | 40 |
| d5 (max) : | 50 |
| I3 (min) : | 45 |
| dk : | 50.8 |
| ° : | 17 |

Rated load (KN) :

| | |
|---------------|-----|
| Cr : | 64 |
| Cor : | 88 |
| Weight (kg) : | 1.1 |