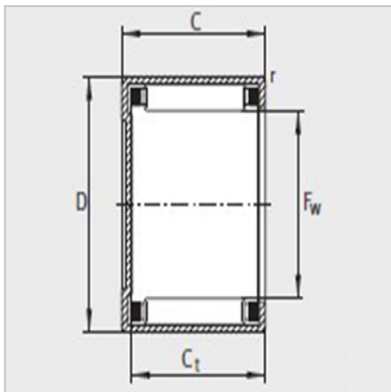
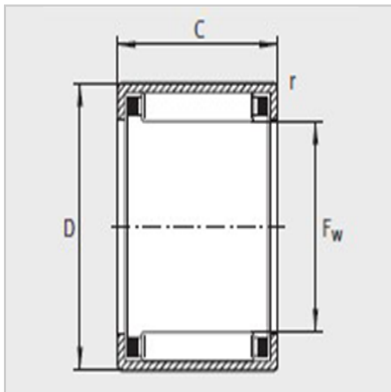


Drawn cup needle roller bearing



Drawn cup needle roller bearings with open ends :

model :	HK0608
Qualitym g :	2.1

Principal dimensionsmm :

Fw :	6
D :	10
C -0.3 :	8
C _t min :	-
r min :	0.4

Basic load ratingsN :

Dynamic loadC _r :	2030
Static loadC _{0r} :	1650
Fatigue ultimate loadCurN :	184
Extreme speednGmin-1 :	36500
Reference speednBmin-1 :	31500

Suitable for inner ring (need to be ordered separately) :

LR model :	-
IR model :	-



: