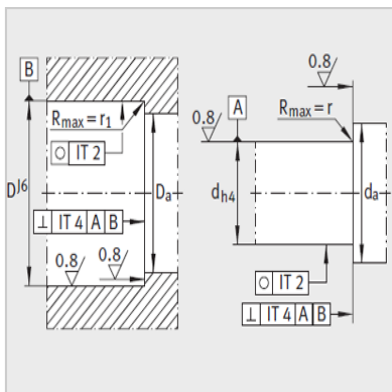
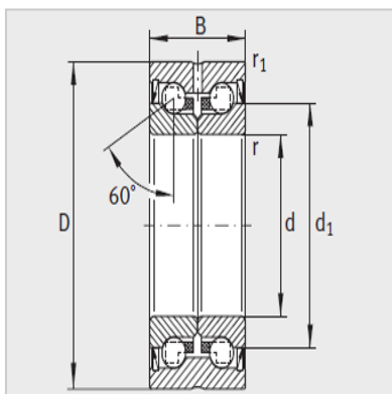


Screw support bearing



| | |
|---|----------------|
| model : | ZKLN0624-2RS |
| Mass m kg : | 0.03 |
| Principal dimensionsmm : | |
| d-0.005 : | 6+0,002 -0,003 |
| D-0.010 : | 24 |
| B -0.25 : | 15 |
| d ₁ : | 14 |
| r min : | 0.3 |
| r ₁ min : | 0.6 |
| Fitting dimensionmm : | |
| D _a max : | 19 |
| d _a min : | 9 |
| Basic load ratingaxial : | |
| Dynamic loadC _a N : | 6900 |
| Static loadC _{0a} N : | 8500 |
| LimitSpeednGFatmin-1 : | 6800 |
| BearingFrictionTorqueMRLNm : | 0.04 |
| StiffnessAxialCaLN/ μ m : | 200 |
| OverturningStiffnessckLNm/mrad : | 8 |
| MassInertia moment ¹⁾ Mmkg · cm ² : | 0.0044 |
| AxialBounce ⁴⁾ μ m : | 2 |
| Recommended INALock nut,need order separately : | |
| Model 1 : | ZM06 |
| Model 2 : | - |
| Locking Torque ³⁾ MANm : | 2 |
| AxialPre tensionN : | 2404 |



: